



brass eagle®

.68 CALIBER
CO2 POWERED
PAINTBALL
MARKER



OWNER'S MANUAL

Contains:
Safety Information
Warranty Information
Operating Instructions
How to Unload
Cleaning and Lubrication
Annotated Diagram
Trouble Shooting Guide

! This safety alert symbol indicates important safety messages in this manual. When you see this symbol, be alert to the possibility of personal injury and carefully read the message that follows.

! **WARNING:** THIS IS NOT A TOY. MISUSE MAY CAUSE SERIOUS INJURY OR DEATH. EYE PROTECTION DESIGNED FOR PAINTBALL USE MUST BE WORN BY THE USER AND ANY PERSON WITHIN RANGE. RECOMMEND AT LEAST 18 YEARS OLD TO PURCHASE, 14 YEARS OLD TO USE WITH ADULT SUPERVISION, OR 10 YEARS OLD TO USE ON PAINTBALL FIELDS MEETING ASTM-STANDARD F1777-97. READ OPERATION MANUAL BEFORE USING.

! **WARNING:** NEVER SHOOT AT ANYONE WITHOUT PROPER PROTECTIVE EQUIPMENT FOR EYES, EARS, THROAT AND HEAD, WHICH MUST BE WORN AT ALL TIMES. EYE PROTECTION MUST BE DESIGNED SPECIFICALLY FOR PAINTBALL USE. FAILURE TO FOLLOW THESE SAFETY PRECAUTIONS MAY RESULT IN BODILY INJURY INCLUDING BLINDNESS AND DEAFNESS.



Welcome to the Brass EagleFi team and thank you for purchasing this high quality Brass EagleFi paintball marker.

We at Brass EagleFi stand committed to providing you with the best product and service available. Your new marker is designed and manufactured to provide ease of maintenance with trouble free performance. We ask that you read this manual to obtain the maximum enjoyment of your purchase.

Call 1-877-877-GAME (4263) or visit our web site if you should need an illustrated parts list.



brass eagle®

Brass Eagle® Inc.
P.O. Box 1956, Rogers, AR 72757, U.S.A.
877-877-GAME(4263) Fax: (479)464-8701
www.brassseagle.com

! RULES OF SAFE PAINTBALL MARKER HANDLING

1. Always wear proper eye, face and ear protection designed especially to stop paintballs.
2. Never shoot a person who is not wearing proper protection.
3. Treat every paintball marker as if it were loaded.
4. Never look down the barrel of the marker.
5. Never point the paintball marker at anything you don't wish to shoot.
6. Keep the paintball marker on safe until ready to shoot.
7. Keep the barrel plug in the paintball markers muzzle when not shooting.
8. Always remove gas source before disassembly.
9. Store the paintball marker unloaded and degassed in a locked place.
10. Follow warnings listed on gas source for handling and storage.
11. Never use anything other than .68 caliber paintballs.
12. Do not shoot fragile objects such as windows.
13. Paintballs may cause staining of some porous surfaces such as brick, stucco and wood.
14. Always measure velocity before playing paintball.
15. Never shoot at velocities in excess of 300 feet per second.

Use a chronograph to insure the markers velocity is set accurately. Recommend the

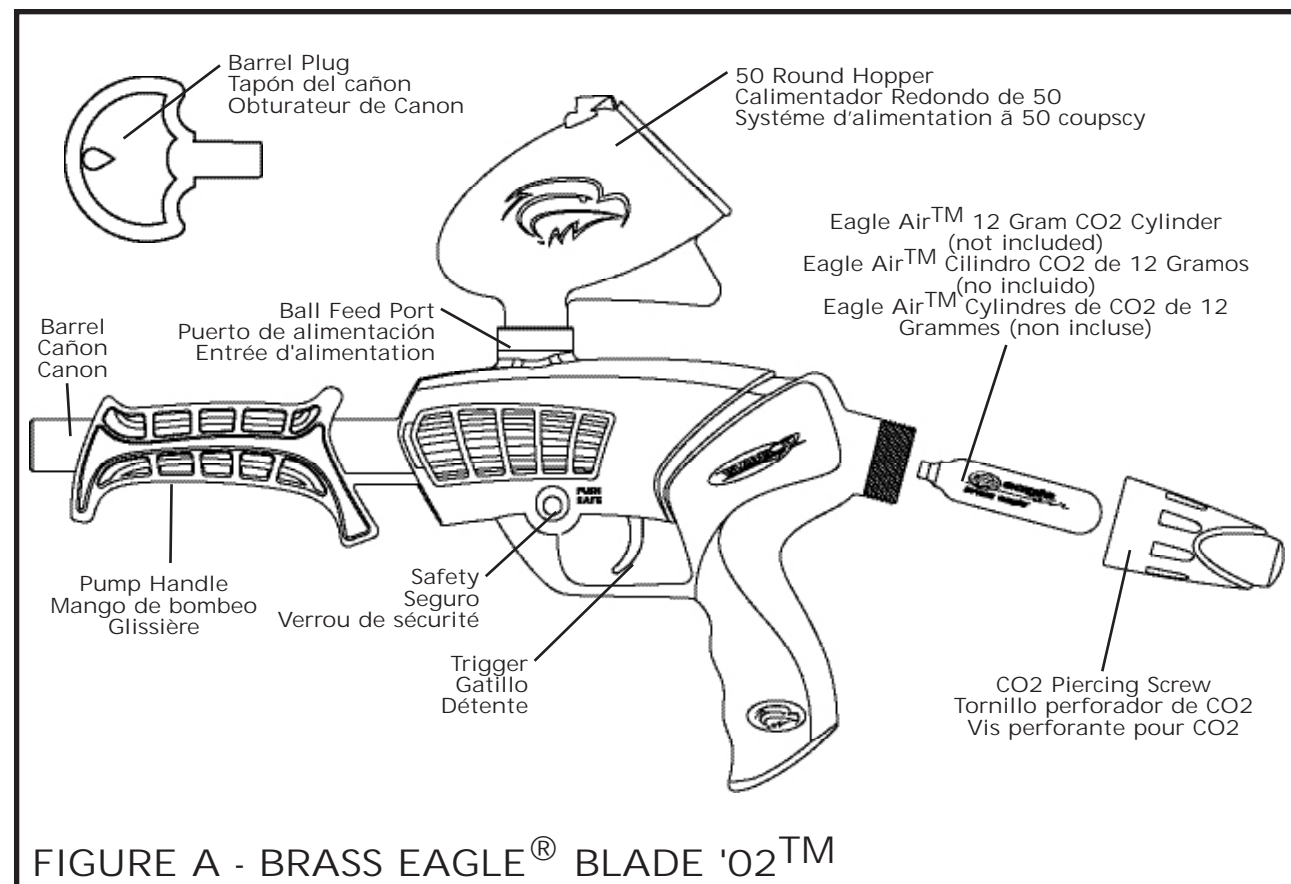
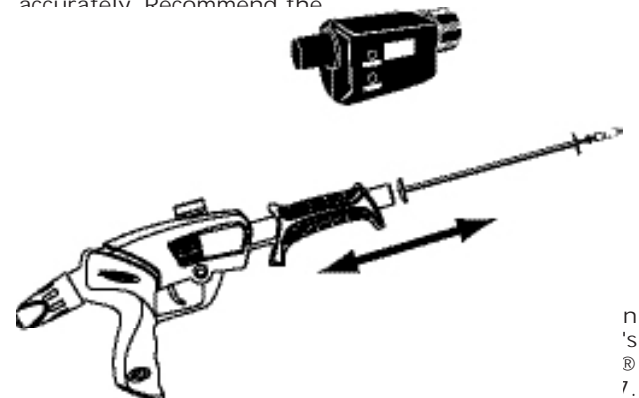


FIGURE A - BRASS EAGLE® BLADE '02™

DO'S AND DON'TS OF CARE AND MAINTENANCE

NOTE: Any cosmetic or mechanical changes to product will void warranty.

Follow these easy points to keep your marker in top shape for years to come.

DO'S

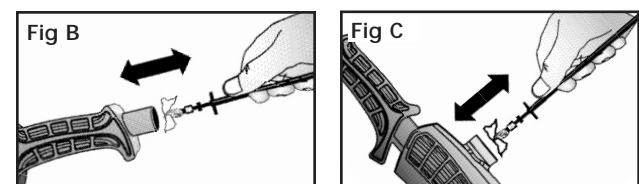
- Read owners manual thoroughly before using.
- Squeeze out broken paintballs in barrel.
- Lubricate o-rings each time marker is used with 3 drops of lubricant. (see Figure W for lubrication locations)
- Familiarize yourself with the exploded view (Figure W) prior to any disassembly.
- When disassembling, put marker parts on cloth to avoid losing parts or parts falling down onto dirt or sand.
- Lubricate immediately after cleaning. (see Figure W for lubrication locations)

DON'TS

- DO NOT DISASSEMBLE marker if you are unfamiliar with marker maintenance. Call customer service at 1-877-877-4263 or visit our website at: www.brassseagle.com/service for assistance.
- Do not use oils or lubricants other than oil approved on the web page or by customer service (1-877-877-4263)
- Do not immerse entire marker in water to clean.

TROUBLE SHOOTING GUIDE

PROBLEM	CAUSE	CURE
Marker Fails to Discharge	Marker is not Cocked	Cock Marker Pump Handle
	Lack of Gas Pressure	Install New 12gm CO2 Cylinder
	Gas Source Not Fully Engaged	Tighten Piercing Screw
	Operating Temperature Too Cold	Operate in Warmer Temperature
	Broken Paintball	Squeeze Out Paintball Fragments in Barrel



OPERATING INSTRUCTIONS

! **WARNING:** Be sure the paintball marker is always pointed in a safe direction. Read the following operating instructions and WITHOUT LOADING ANY PAINTBALLS proceed several times through the operating steps with your paintball marker (dry fire the paintball marker at a safe target) so that you will be able to operate the marker properly and safely.

Step 1. PUT ON 'SAFE': Push safety from left to right: (Fig D) (no red band showing). Make sure barrel plug is placed securely in muzzle of marker. (Fig E)

Step 2. ATTACH POWER SOURCE (not included): Marker can be used with Brass EagleFi 12 gram CO2 cylinders. Use piercing screw to install the CO2 cylinder (Fig F). Turn screw clockwise to tighten until cartridge has been pierced. **DO NOT over tighten.**

! **WARNING:** Use only CO2 cylinders which are 12 gram type. (Recommend Eagle Air™ cylinders Item #7105, #7115 or #7125) Any attempt to use other sizes and/or cylinders containing other types of gas could be extremely dangerous. The use of gases other than CO2 could result in an explosion or rupture of the marker, causing us injury.

! **WARNING:** CO2 cylinders may explode at temperatures above 130 F (54.4 C). (Fig G)

Step 3. LOAD PAINTBALLS:
1) Press Loader (Included) into ball feed port. (Fig H) (Also recommend accessory Loader VL200 - Item #1475 available separately).

2) Pour paintballs into loader. (Fig I)
NOTE: Paintballs are gravity fed from loader to the marker each time the marker is cocked. Too rapid a rate of fire, broken balls or too many balls in loader may cause subsequent balls to break and will adversely affect the paintball markers accuracy. Use a squeegee to clean inside the paintball markers barrel. (RECOMMEND Brass EagleFi, ViewLoaderFi

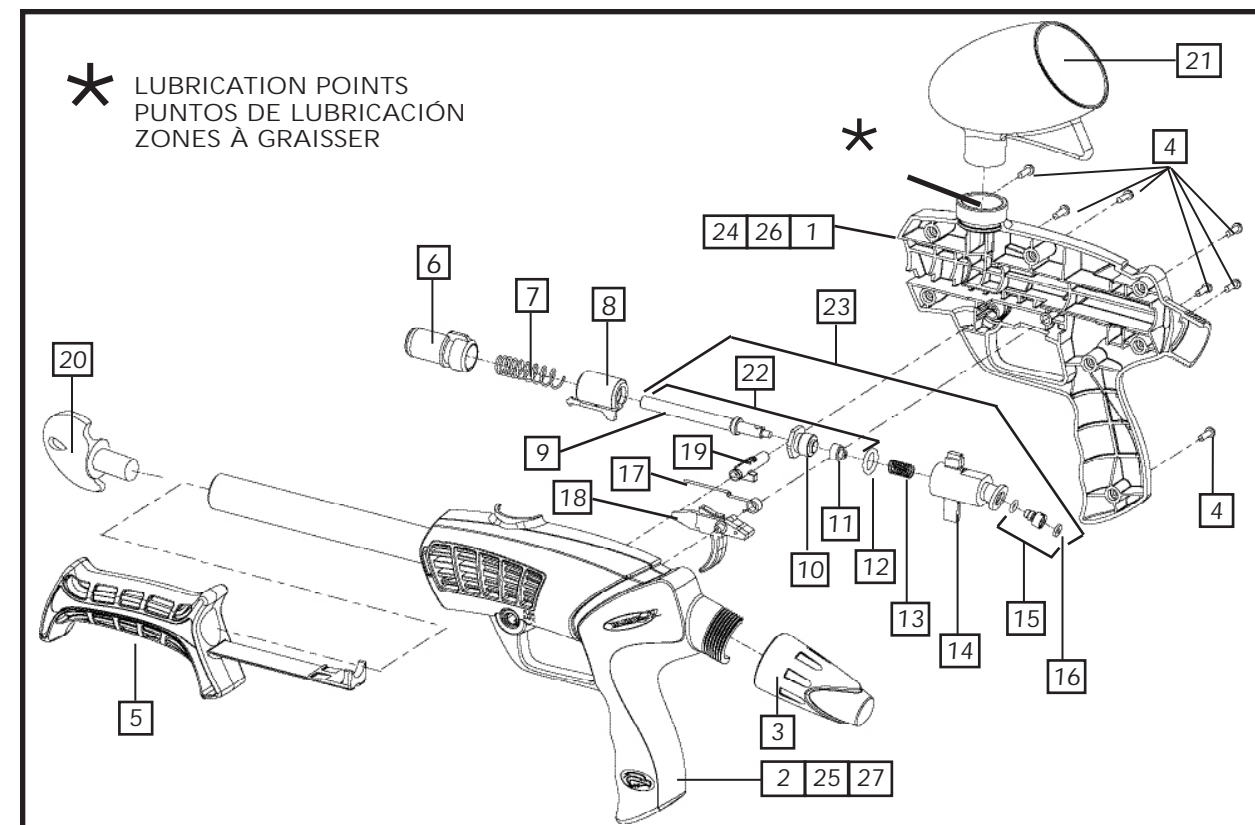
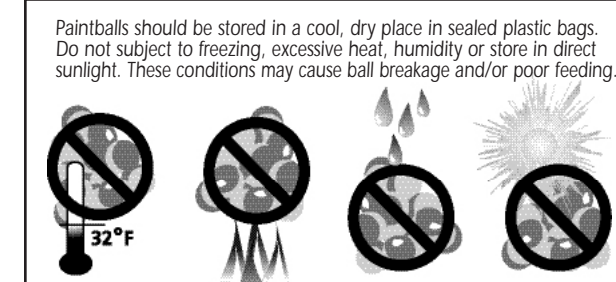


FIGURE W

Note: Any cosmetic or mechanical changes to product will void warranty. Nota: Los cambios cosméticos o mecánicos al producto invalidarán la garantía. Remarque: toute modification de l'aspect ou de la mécanique en annulera la garantie.

Key Description	Key Description	Key Description
1 RH FRAME - DARK BLUE	13 VALVE SPRING	25 LH FRAME - TRANSPARENT BLUE
2 LH FRAME - DARK BLUE	14 VALVE BODY	26 RH FRAME - TRANSPARENT GREEN
3 PIERCING SCREW	15 PUNCTURE PIN ASSEMBLY	27 LH FRAME - TRANSPARENT GREEN
4 1/2 SCREW	16 PUNCTURE PIN SEAL	
5 PUMP HANDLE	17 TRIGGER SPRING	
6 BOLT ASSEMBLY	18 TRIGGER	
7 HAMMER SPRING	19 SAFETY	
8 HAMMER ASSEMBLY	20 BARREL PLUG	
9 VALVE STEM	21 HOPPER, 50 ROUND	
10 VALVE RETAINER	22 POWER TUBE ASSEMBLY	
11 CUP SEAL	23 VALVE BODY ASSEMBLY	
12 VALVE RETAINER O-RING	24 RH FRAME - TRANSPARENT BLUE	

Important Numbers
Números importantes
Números importants
1-877-877-4263
(customer service)
(servicio al cliente)
(service clientèle)
www.brassseagle.com/service

Step 4. EYE PROTECTION: Make sure everyone within range (200 yards) is properly protected from paintball impacts. (Fig J)

Step 5. Remove barrel plug (Fig K) and take off safe by pressing safety from right side of marker until red band is showing. (Fig L)

Step 6. COCK: Cock marker by pulling pump arm fully back until you hear "click" (sound of sear engaging) (Fig M). Push pump arm fully forward until "click" is heard again (Fig N).

Now anti-double feed feature is engaged and a second ball cannot be fed into chamber. The Blade02 is a pump actuated marker, which needs to be pumped after firing to chamber the next paintball and to compress the hammer spring. The marker may not cock (sear may not engage) when the 12 gram CO2 is low on pressure or when there is no 12 gram CO2 cylinder installed.

STEP 7. VERIFY VELOCITY: Verify that the paintball markers velocity is below 300 feet per second or less if required by playing field (ASTM standard F1777-97). Velocity should be measured with a chronograph prior to playing paintball (Fig O). (RECOMMEND ViewloaderFi on-barrel chronograph to verify velocity. Item #7815).

Step 8. FIRE: Marker is now ready to fire (Fig P).

! **WARNING:** Never shoot at anyone without proper protective equipment for eyes, which must be worn at all times. Eye protection must be designed specifically for paintball use. Failure to follow these safety precautions may result in bodily injury including blindness and deafness.

UNLOADING YOUR MARKER

! **WARNING:** Always wear proper eye, face and ear protection designed especially to stop paintballs while unloading your Blade02 paintball marker (Fig Q).

STEP 1. Make sure barrel plug is securely in muzzle of marker (Fig R).

STEP 2. Put Marker on safe. Push safety from left to right, no red showing (Fig S).

STEP 3. Remove the CO2 cylinder by unscrewing piercing screw (Fig T).

STEP 4. Remove loader (Fig U).

STEP 5. Turn marker upside down to remove paintballs from feed port (Fig V).

STEP 6. Insert squeegee into barrel to insure paintballs are removed or dislodged through feed port (Fig V).

Do not unload your marker indoors.

! **WARNING:** Never look down the barrel of the marker.

